

WHAT'S IN . . .

Contents of Australian Journals of Librarianship

AUSTRALIAN SCHOOL LIBRARIAN v17, no3, Spring 1980. Edited by Berres Colville, SLAV, Box 280, East Melbourne, Vic 3002. Guest editor Doug Down.  
 ASCIS Pilot Project (1978-1980): an assessment by *Doreen Goodman*;  
 SAERIS by *Anne Harris*;  
 TASCIS: A description paper of an embryonic online schools cataloguing service by *Glenn C. Pullen*;  
 Networks and the Computer Nexus by *Peter Stansfield*;  
 Computer in the Library by *Colin Sutton*;  
 ASLA Darwin: A Picture Story by the editor.

AUSTRALIAN SCHOOL LIBRARIAN, v18, no1, Autumn 1981. Edited by Berres Colville, SLAV, Box 280, East Melbourne, Vic 3002.  
 Where do we go from here? The Teacher-Librarian's involvement in Curriculum Planning and Implementation by *Graham P. Corr*;  
 Some Aspects of Education for Aboriginal Children in the Northern Territory by *Graham McGill*;  
 The day we played truant from ASLA V11 by *Judy Buckley*;  
 SLAV Annual Report.

CATALOGUING AUSTRALIA, v7, no1, January-March 1981. Edited by Jack R. Nelson, School of Librarianship, University of NSW, PO Box 1, Kensington, NSW 2033.  
 Cataloguing Seminar: State of the Cataloguing Art 1981, held 23 Jan 1981, Christchurch; Papers:  
 State of the cataloguing art: an informal report by *Janet D. Hine*;  
 Implementation of AACR2 by *David Kitchingman*;  
 The Office of Library Co-operation by *Enid Roberts*;  
 Data sharing for Western Australia by *Helen Immomen*;  
 Filing: the ALA Filing Rules, 1980 by *Janet Caudwell*;  
 The OCLC experience by *Keir Kirkby*;  
 Geographic names in AACR2 and in subject headings by *Elaine N. Hall*.  
 LAA Cataloguers' Section. News from the National Executive by *Elaine N. Hall*;  
 News from National Library of Australia by *Jan Fullerton*;  
 LAA Cataloguers' Section. Queensland Group. Annual Report, 1980;  
 LAA Cataloguers' Section. Victorian Group. Annual Report, 1980;  
 LAA Cataloguers' Section. West Australian Group. Annual Report, 1980;  
 CAEVCATS. Report for 1980;  
 National Seminar, Perth, 12-15 August 1981: News release;  
 A Call for AACR2 Comment by *Helen Hoffmann*.

LASIE (Information Bulletin of the Library Automated Systems Information Exchange) v10, no6, May/June 1980. Edited by Dagmar Schmidmaier, Kuring-gai CAE, PO Box 222, Lindfield, NSW 2070.  
 Telecommunications, automation and employment by *Dr T.A. Cutler*;  
 Communicating Information at Disneyland by *Carmel Maguire*;  
 CAVAL in the Library: a User's Perspective by *Virginia de Crespigny*.

Introduction to corporate management

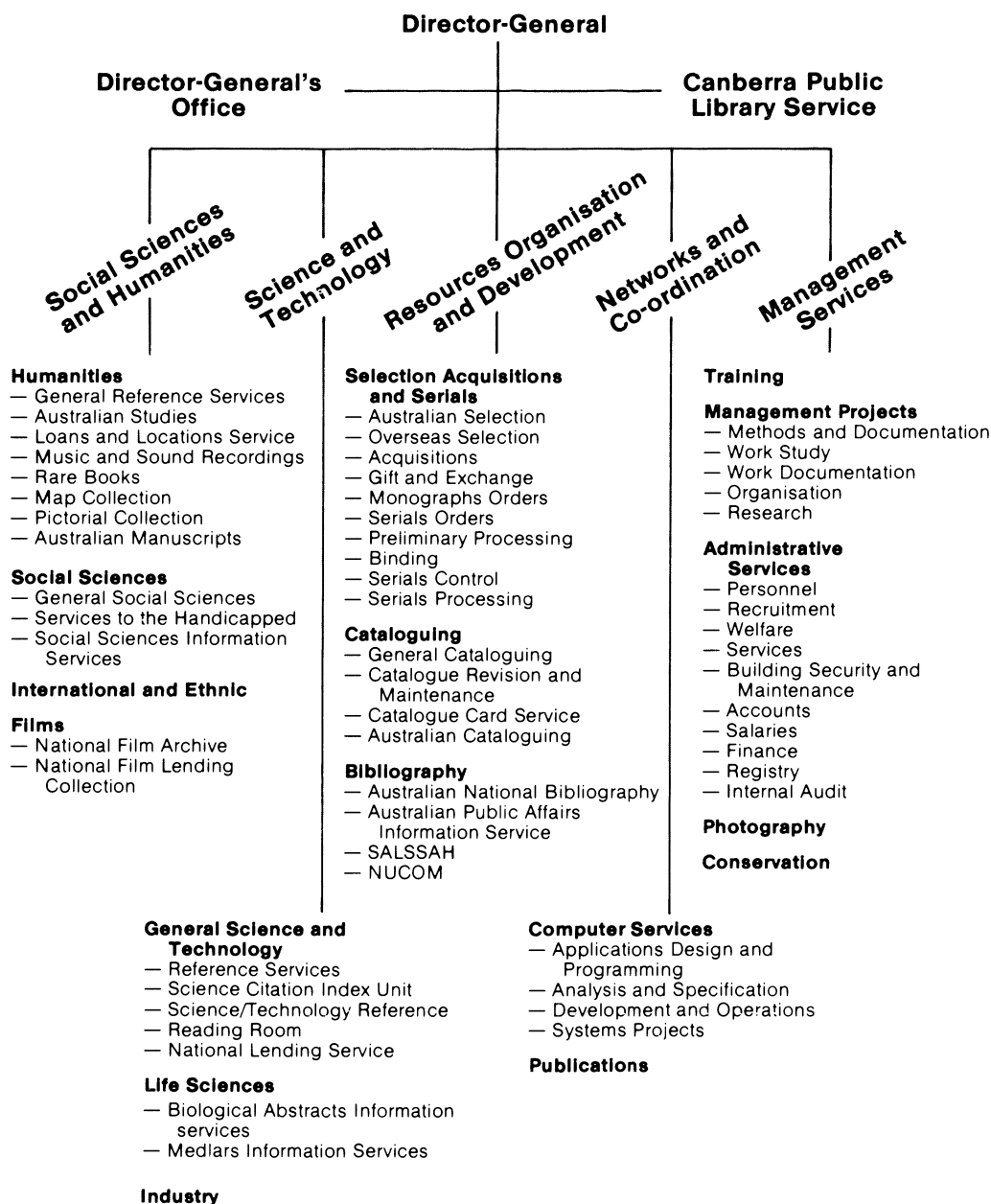
THE NSW Local Government and Shires Association have recently published a manual on corporate management *Introduction to corporate management, management manual 1*.  
 The manual was compiled by a Working Party made up of representatives of the five professional bodies whose members make up local government departmental top and middle management (ie clerks, engineers, health surveyors, librarians and town planners); the Local Government Department; elected members of Council; and the Associations Management Services Division.  
 It is the first of a series of manuals on various aspects of corporate management in NSW and work has already begun on the second manual - *Financial Management*.

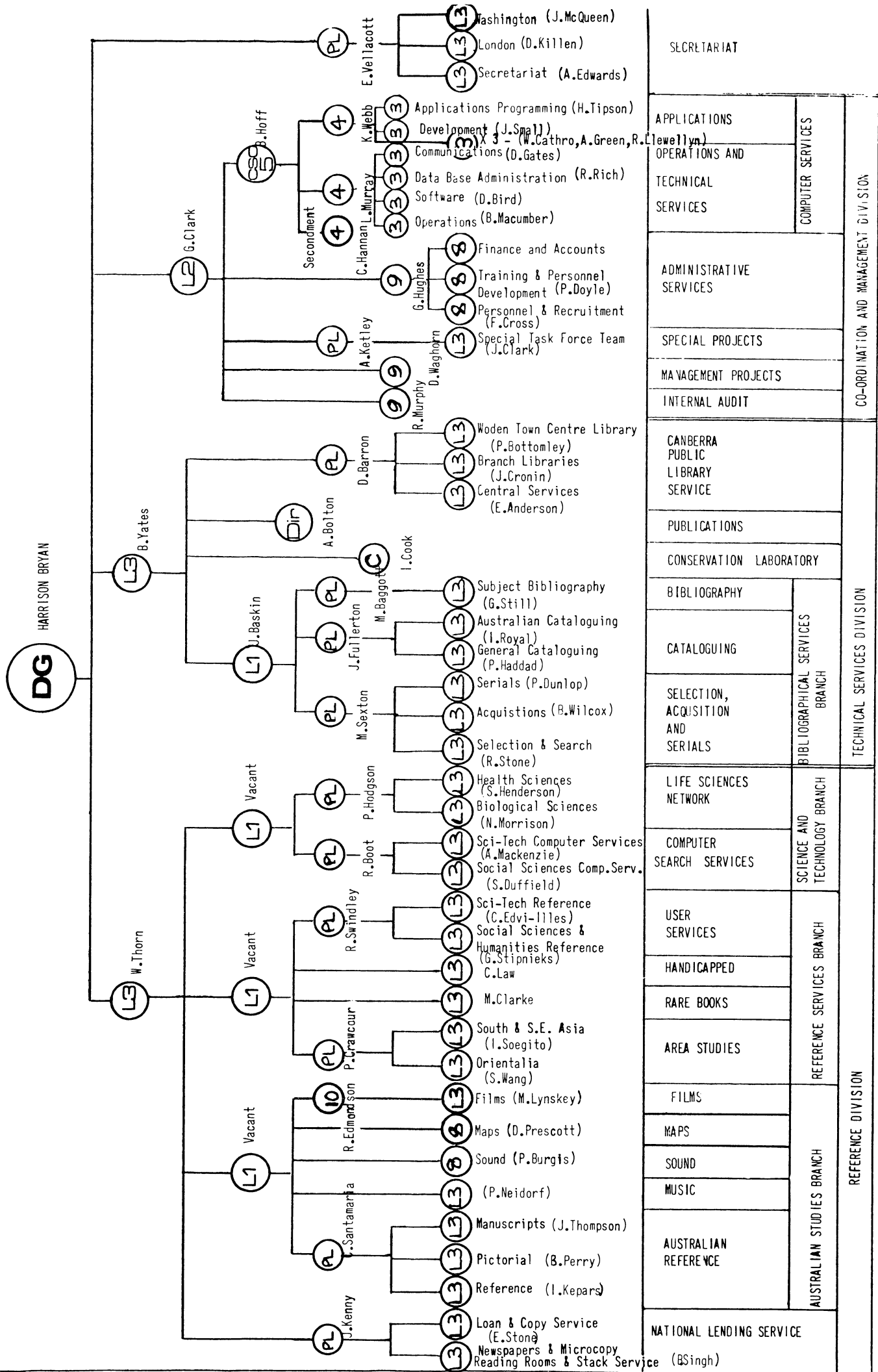
*Introduction to corporate management* is a substantial loose-leaf volume which will be continually updated by a special annual subscription service. It costs \$60.50.  
 Included in the manual and also available separately is a bibliography on corporate management of some 29 items. The contents of this bibliography were selected by the Management Services Division's staff and it was annotated and arranged by the LAA NSW Branch representatives on the Working Party: Diana Oliver (Sutherland Shire Council) and Bernard Sargeant (Public Libraries

Division, State Library). Other librarians in local government involved included Alan Flores (Penrith), Julia Browne (Hawkesbury) and Chris Williams (Lake Macquarie) who is also currently the Branch's representative on the second manual *Financial Management*.  
 Copies of the bibliography can be obtained from the Management Services Division, Local Government Association of NSW, 215 Clarence Street, Sydney NSW 2000.

WHO'S WHERE IN THE NLA

**A** For information sheet (308/81, 5 March 1981) from the National Library of Australia tells us that the Library has been reorganised.  
 The page to the right shows who's where in the NLA as at March 1981. The chart is published here so that readers can contact the precise person to whom they should turn for a particular service.  
 We thought readers might also be interested to see how the NLA was organised previously. The chart below shows the structure prior to 30 June 1980.





SECRETARIAT

APPLICATIONS OPERATIONS AND TECHNICAL SERVICES

COMPUTER SERVICES

ADMINISTRATIVE SERVICES

SPECIAL PROJECTS

MANAGEMENT PROJECTS

INTERNAL AUDIT

CO-ORDINATION AND MANAGEMENT DIVISION

CANBERRA PUBLIC LIBRARY SERVICE

PUBLICATIONS

CONSERVATION LABORATORY

BIBLIOGRAPHY

CATALOGUING

BIBLIOGRAPHICAL SERVICES BRANCH

SELECTION, ACQUISITION AND SERIALS

TECHNICAL SERVICES DIVISION

LIFE SCIENCES NETWORK

SCIENCE AND TECHNOLOGY BRANCH

COMPUTER SEARCH SERVICES

USER SERVICES

REFERENCE SERVICES BRANCH

HANDICAPPED

RARE BOOKS

AREA STUDIES

FILMS

MAPS

SOUND

MUSIC

AUSTRALIAN STUDIES BRANCH

AUSTRALIAN REFERENCE

NATIONAL LENDING SERVICE

REFERENCE DIVISION